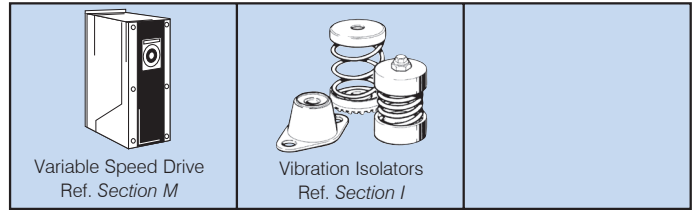




ANCILLARY EQUIPMENT



SUGGESTED SPECIFICATION

The centrifugal extraction fans shall be of the JET Series as supplied by Fantech Pty. Ltd. and be of the model numbers shown on the schedule/drawing.

The housings and impellers shall be made from high density, UV treated polypropylene that is resistance to chemical corrosion. Impellers shall be forward-curved.

The centrifugal extraction fan shall be driven by a direct drive motor and designed to operate with a variable speed controller or variable speed drive

They shall be fitted with inlet spigot and discharge flange, and come standard with a UV treated polypropylene weather cover cone.

Air flow test data shall be based on ISO5801:2017. Noise test data shall be based on ISO 13347.

DESCRIPTION

These roof mounted inline centrifugal fans with vertical discharge are suitable for operation in highly corrosive applications such as laboratory exhaust or the chemical industry. JET fans generate a high plume to ensure maximum dilution of gases in the environment with a motor that is fully enclosed and protected from the corrosive airstream.

There are 3 models in the range to suit duct diameters from 160 to 250mm.

Features

- High density, UV treated polypropylene housing and impeller
- Air flows up to 1000L/s
- 1300 Pa static pressure
- High density, UV treated polypropylene housing and impeller
- Forward curved centrifugal impeller
- Direct drive, asynchronous motor, single or three phase, IP55
- Explosion proof fans available on request
- Recommended up to 60°C

Construction

High density, UV treated polypropylene housing and impeller that are resistance to chemical corrosion.

Internal thermal Protection

Can be provided as an optional extra.

Wiring Diagram

See N-6/7, diagrams DD1,2,3,8

Motors

Type - squirrel cage induction motor
Electricity supply – Motors to suit a wide range of voltages and frequencies can be supplied
Bearings - sealed-for-life, ball
Can be fitted with speed-controller
See pages O-2/3 for details on these motors

Testing

Air flow tests to ISO5801:2017
Noise tests to ISO 13347

HOW TO ORDER

Jet Series product codes are made up as follows, not all combinations are possible.

Type	Size	Speed	Motor	Power
JET	25	4	B	003

Type
JET Series

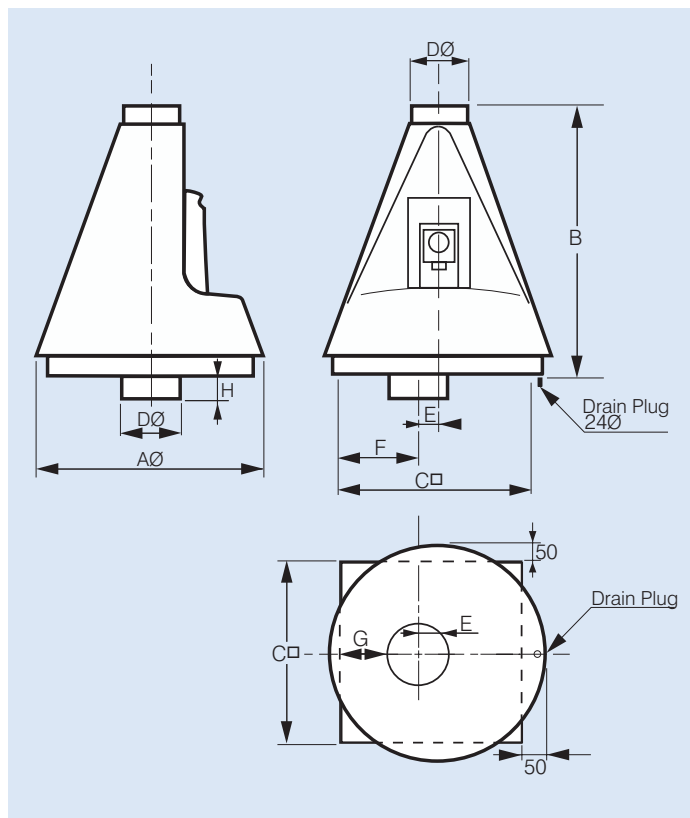
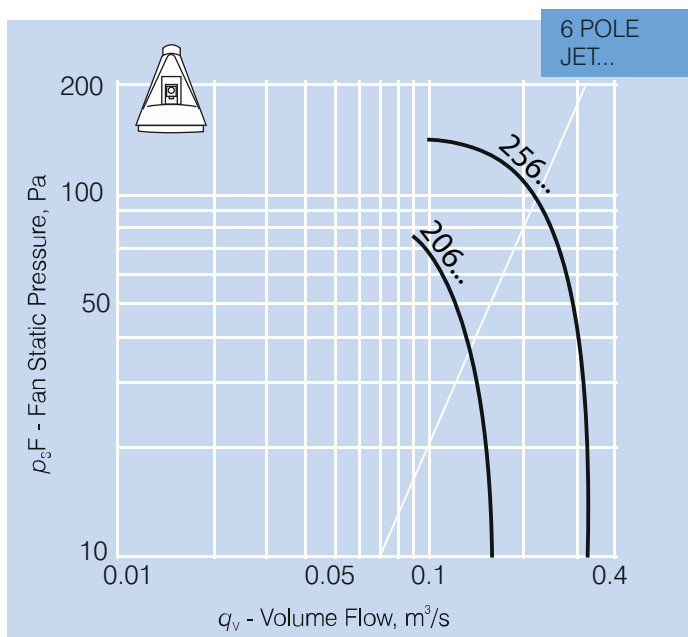
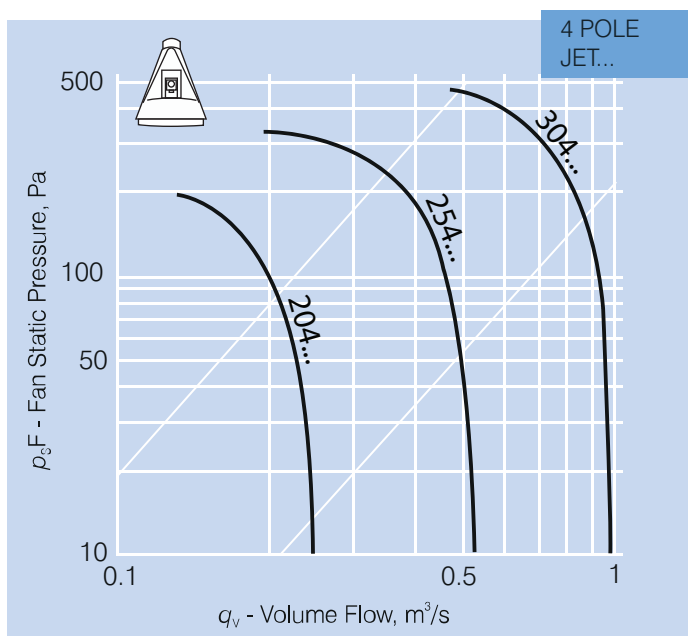
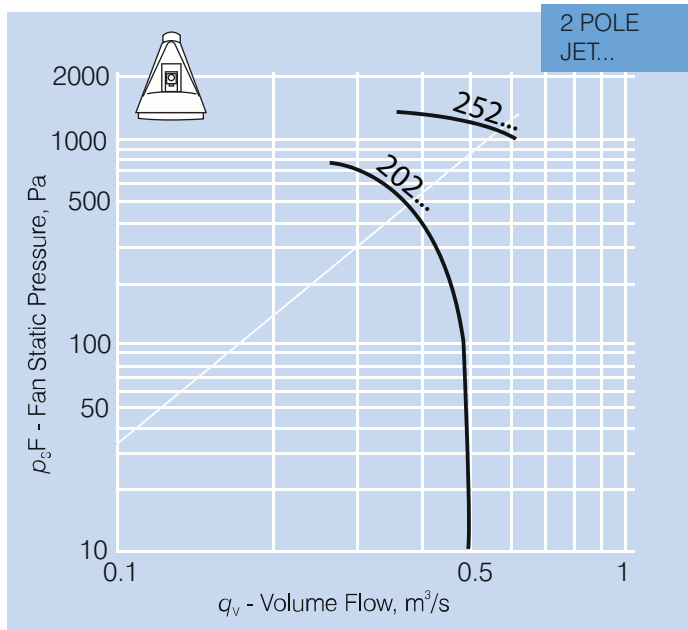
Inlet/Discharge diameter
 20 = 160mm
 25 = 200mm
 30 = 250mm

Fan Speed, no. of poles 2, 4, 6

Motor Type
 Three Phase B
 Single Phase S

Motor Power
 001 = 0.18kW 005 = 0.55kW 015 = 1.5kW
 002 = 0.25kW 007 = 0.75kW 022 = 2.2kW
 003 = 0.37kW 011 = 1.1kW

DIMENSIONS



Model	Dimensions, mm							
	AØ	B	C	DØ	E	F	G	H
20...	600	800	540	160	50	250	160	70
25...	735	900	540	200	60	240	145	25
30...	880	1040	540	250	70	200	75	70

SEAT FANS - JET SERIES

TECHNICAL DATA

Model JET...	Fan Speed rev/sec	Avg. dB(A) @ 3m*	1 ph kW	Amps	3 ph kW	Amps	Max. amb °C**	App. Wt. kg
202	48	60	0.75	4.73	1.10	2.40	60	27.9
204	24	45	0.18	1.61	0.25	0.90	60	21.0
206	16	36	-	-	0.18	0.68	60	21.7
252	48	67	-	-	2.20	4.61	60	41.2
254	24	52	0.37	2.90	0.37	1.10	60	21.2
256	16	42	-	-	0.18	0.68	60	21.4
304	48	58	1.10	7.00	1.10	2.68	60	45.5

* Inlet Sound Levels

**Max temperature of air in duct

NOISE DATA

Model JET...	Type	Avg. dB(A) @ 3m	In-duct Sound Power Levels LwdB re 1pW							
			63	125	250	500	1k	2k	4k	8k
202	Inlet	60	77	82	81	78	76	70	67	61
	Outlet	61	82	81	85	81	73	69	67	59
204	Inlet	45	62	67	66	63	61	55	53	46
	Outlet	46	67	66	70	66	58	54	52	44
206	Inlet	36	52	57	56	54	52	45	43	36
	Outlet	37	57	56	60	57	49	44	42	34
252	Inlet	67	87	91	86	84	83	78	74	71
	Outlet	66	92	85	86	86	79	76	72	68
254	Inlet	52	72	76	71	69	68	63	59	56
	Outlet	51	77	70	71	71	65	61	57	53
256	Inlet	42	62	66	62	60	58	53	49	46
	Outlet	41	67	61	61	62	55	51	48	44
304	Inlet	58	77	79	74	75	75	71	67	63
	Outlet	57	78	76	78	75	73	70	66	61